

Specification for the 216 standard PVC 7 strand copper core security meter block

To fit cut outs: To fit Lucy Mk4 Series

1 - Single insulated Brown, 2 – Single insulated Blue

All cables are 25mm² 7 strand standard copper. Also available in 19 strand and LSZH.

Single Insulated cable;

Single Insulated colour Blue or Brown metering tails to specification;

Application: 6491X/B Cable H07V-R/H07V-U to BSEN 5052 5-2-31 is suitable for power and lighting circuits and building wiring. The cable is intended for use in semi-flush exposed conduits and embedded conduits as well as in closed installation ducts, and is ideal for the internal wiring of appliances and apparatus.

Standards: BSEN 5052 5-2-31, BASEC approved

Conductor: 25mm²: H07V-R Class 2 stranded plain copper conductors to BS EN 60228:2005

Insulation: PVC (Polyvinyl Chloride) Type TI1 to BSEN 50363-3

Insulation Colour: Blue or Brown

Voltage Rating: 450/750V

Temperature Rating: 0°C to +70°C

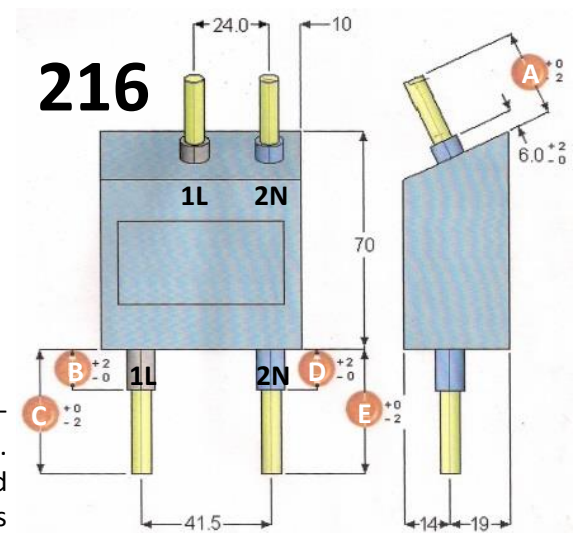
Minimum Bending Radius: 10mm² to 25mm² - 4 x overall diameter

Double Insulated cable;

Double Insulated Grey over colour or **Double** insulated colour over colour, metering tails to specification;

Application: 6181Y/B Fixed Installation in dry or damp areas for domestic and light industrial wiring, with the potential of light mechanical contact.

Standards: BS6004 BASEC approved



Part No	A	B	C	D	E
216A	28	13	40	13	56
216B	30	18	40	42	62
216C	29	18	42	23	48

 This is a standard product



Conductor: 25mm²: Class 2 stranded plain copper conductors to BS EN 60228:2005

Insulation: PVC (Polyvinyl Chloride) TI 1 6 BSEN 50363-3

Insulation Colour: Blue or Brown

Sheath: PVC (Polyvinyl Chloride) Type 6 BS 7655-4.2

Sheath Colour: Grey, Blue, Brown

Voltage Rating: 300/500V

Temperature Rating: 0°C to +70°C

Minimum Bending Radius: 10mm² to 25mm² - 4 x overall diameter

Earth Cable: To be supplied separately upon request, to a 16mm² copper 7 strand, PVC single insulated Yellow Green stripe standard.

PVC block

The main body of the security block is manufactured from an injection grade Black flexible PVC compound, specifically formulated for the security block product. An MSDS (Material Safety Data Sheet) can be made available by request.

Identification

A product label is applied to the packaging box upon inspection and closure and should not be removed until the box is ready for recycling, as this will help to identify products within at all times.

A Label is applied on the visible front of the PVC security block itself as an anti tamper warning.

If required or needed labels are applied in a 360 degree manner around the circumference of the cables themselves to identify the Negative and the Live poles to which the Grey outer protective sheath may hide its true identity.

Storage, handling and care

Handling of all blocks must be taken with care. The cables protruding from the blocks maybe prone to bending and the exposed copper ends maybe sensitive to abrasion and dislodging if not protected in a suitable container such as a sturdy cardboard or plastic box.

An advisory to wear work gloves when handling these blocks is recommended so as not to cut or damage exposed skin with the exposed copper ends which can be left sharp from the manufacturing.

Storage and transport of the blocks should be within a suitable container to repel moisture / damp at all times, and is robust to provide protection from outside objects to avoid crushing and impact. During use it is recommended that all blocks are stored in a suitable container until ready to be installed, and handled with care.



Blocks should not generally be stored in cold conditions of no less than (0) Zero degrees Celsius, or risk of potential polymer degradation could occur. Likewise in hot or high heat conditions blocks should not be used or stored in 50+ degrees centigrade. If blocks are subjected to out of operating temperatures then a 24 hour period of acclimatisation should be observed at the operating temperature before installation.

Misshaped or damaged units

All the blocks are quality controlled and inspected before they leave the factory. This however does not relieve the installer of the obligation to not check the product prior to use. A pre inspection by the installer should be undertaken to examine the product and make happy themselves that the product is fit for purpose. If ANY part of the product is not fit for purpose and concern is raised in any way the product should be quarantined and returned to the manufacturer for investigation.

Recycling

The meter security block product is fully recyclable to 100%. There are two main constituents of the blocks, being; PVC (Poly Vinyl Chloride) and Cu (Copper).

Fire safety

PVC is an inherently fire resistant polymer, since it contains more than 50% of chlorine content.

When PVC is burned, hydrogen chloride gas results from thermal degradation and slows down the continuous combustion reaction and prevents the burning progress by warding off the PVC product surface from oxygen in the air. PVC releases less combustion heat than other plastics - hence contributes less to maintaining and spreading fire – and produces no or very few flaming droplets or debris.

Health and safety

The product manufactured and supplied above contains no hazardous materials harmful to nature and human health within its current state, no bio hazard and non pollutant. When the product is subjected to long term heat and open flames a gaseous hazard may occur.

END OF DOCUMENT

Technical Data Sheet compiled and reviewed by...

Tim Hammond
Director

Created January 2014 (reviewed annually or by industry trends)